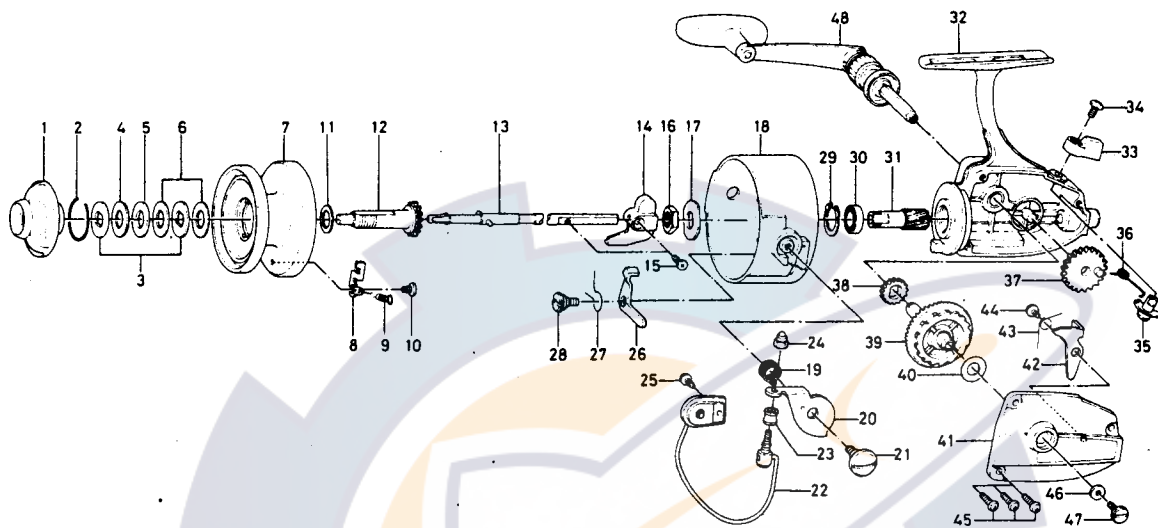


SPINNING REEL **8450HRL**



**KEY NO. 1 ~ 12**

**6-734-2301**

**SPOOL ASSEMBLY**

Key No.	Parts No.	Parts Name
1	6-007-8414	Drag knob
2	6-170-4601	Drag washer retainer
3	6-373-3501	Drag D washer
4	6-373-3701	Disc washer
5	6-373-3601	Drag A washer
6	6-373-3411	Drag washer A
7	6-514-4701	Spool
8	6-030-6802	Spool click claw
9	6-145-2101	Spool click claw spring
10	6-352-0601	Spool click claw screw
11	6-375-5701	Spool washer
12	6-007-8561	Spool metal
13	6-007-6461	Main shaft
14	6-480-6301	Oscillating slider
15	6-352-1501	Oscillating slider screw
16	6-340-5842	Rotor nut
17	6-372-9202	Rotor retaining washer
18	6-201-7912	Rotor
19	6-140-9231	Bail spring
20	6-230-8301	Arm lever
21	6-361-6413	Arm lever screw
22	6-007-6201	Bail
23	6-250-1921	Line roller
24	6-340-9101	Bail nut

Key No.	Parts No.	Parts Name
25	6-351-6401	Bail holder screw
26	6-570-6411	Bail kick lever
27	6-142-5321	Bail kick lever spring
28	6-363-1501	Bail kick lever screw
29	6-320-2911	Ball bearing ret. ring
30	6-631-6901	Ball bearing
31	6-403-2501	Pinion gear
32	6-007-6163	Body
33	6-540-3711	Anti-reverse lever
34	6-350-1931	Anti-reverse lever screw
35	6-460-6821	Anti-reverse cam
36	6-142-2801	Anti-reverse cam spring
37	6-401-4801	Oscillating gear
38	6-401-3701	Oscillating pinion
39	6-414-2001	Drive gear
40	6-370-9923	Drive gear washer
41	6-007-6504	Body cover
42	6-110-7401	Anti-reverse claw
43	6-142-5411	Anti-reverse claw spring
44	6-350-1931	Anti-reverse claw screw
45	6-351-6401	Body cover screw
46	6-372-4601	Handle washer
47	6-351-5531	Handle screw
48	6-007-6653	Handle